




**MEM Bath cascade spout without diverter for deck mounting - Brushed Durabron (23kt Gold)**

MEM

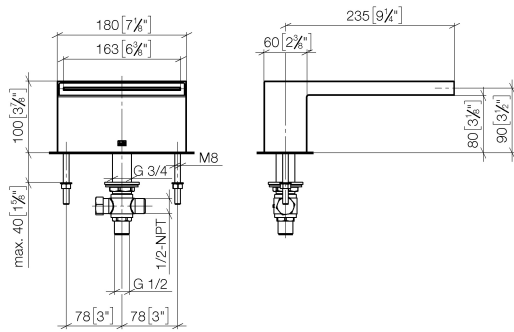
13 630 740



- 235mm projection
- cascade
- height of mixer 100 mm
- height up to aerator 80 mm
- hole diameter 32 mm
- 1/2" connection
- max. flow 26.5 l/min at 3 bar flow pressure
- WRAS 1809016

|   |                               |               |
|---|-------------------------------|---------------|
|  | Brushed Durabron (23kt Gold)  | 13 630 740-28 |
|  | Chrome                        | 13 630 740-00 |
|  | Brushed Platinum              | 13 630 740-06 |
|  | Platinum                      | 13 630 740-08 |
|  | Dark Chrome                   | 13 630 740-19 |
|  | Brushed Champagne (22kt Gold) | 13 630 740-46 |
|  | Champagne (22kt Gold)         | 13 630 740-47 |
|  | Brushed Dark Platinum         | 13 630 740-99 |

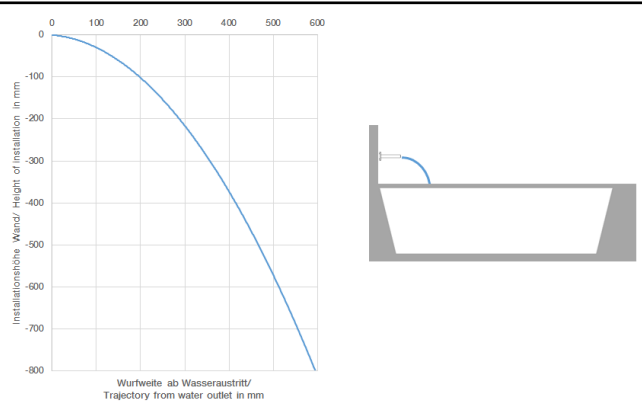
13 630 740  
mm [inches]



Flow rate chart



Trajectory diagram



Certificates

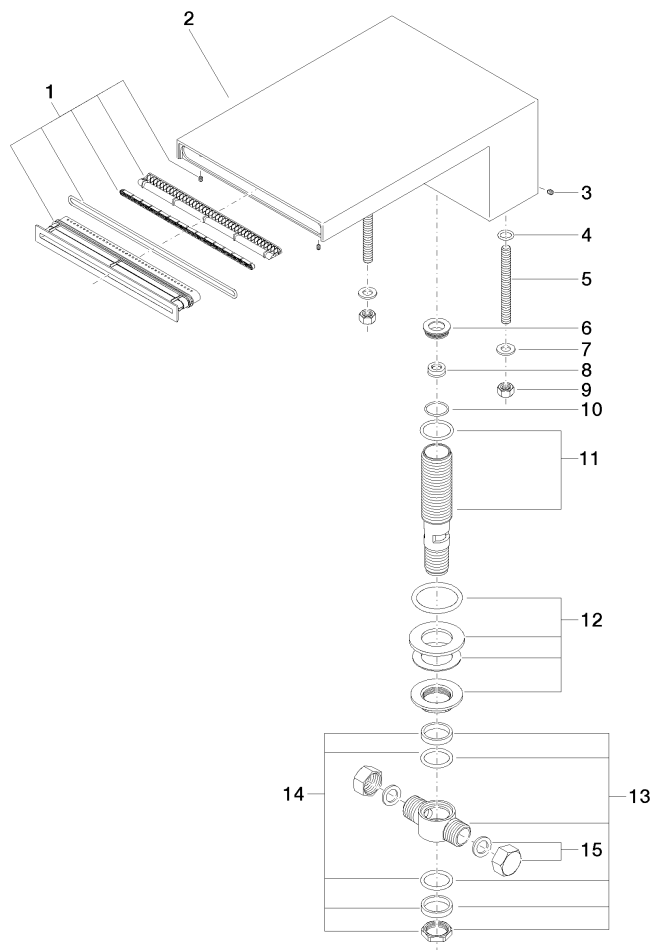
LGA\_19257.

WRAS\_1809016.

**MEM Bath cascade spout without diverter for deck mounting - Brushed  
Durabronz (23kt Gold)**

MEM

13 630 740  
Parts for other  
finishes can be found  
here: Chrome



**Spare parts list**

| No. | Item Number        | Name         | Quantity used | Delivery time |
|-----|--------------------|--------------|---------------|---------------|
| 1   | 90 29 03 059 00 90 | insert       | 1             | 2             |
| 2   | 09 11 74 040-28    | spout        | 1             | 20            |
| 3   | 09 31 11 044 90    | pin          | 1             | 2             |
| 4   | 09 14 10 008 90    | seal         | 2             | 2             |
| 5   | 09 31 11 011 90    | pin          | 2             | 2             |
| 6   | 09 24 04 246 20 90 | nipple       | 1             | 2             |
| 7   | 09 30 11 045 90    | disc         | 2             | 2             |
| 8   | 09 23 01 057 90    | flow reducer | 1             | 2             |
| 9   | 09 23 10 023 90    | nut          | 2             | 2             |
| 10  | 09 14 10 140 90    | seal         | 1             | 2             |
| 11  | 90 30 01 033 00 90 | base         | 1             | 2             |
| 12  | 04 23 10 004 04 90 | fixing set   | 1             | 2             |
| 13  | 90 17 11 020 10 90 | distributor  | 1             | 2             |
| 14  | 90 23 10 012 00 90 | gasket kit   | 1             | 2             |
| 15  | 04 21 02 006 00 92 | cap          | 2             | 2             |